



KOM300F

Industrial Ethernet to Fiber
Media Converter

CE, FCC, RoHS,
Chinese State
Grid Certification

Overview

KOM300F is an industrial fiber optic converter which can work in harsh electromagnetic environment and wide range of temperature.

Features

1. Supports 1 100Base-FX port, 2 10/100Base-T(X) RJ45 ports
2. MAC Address Table Size: 1K; buffer cache: 1M
3. Plug and play
4. Abundant power supply options
5. Operating temperature: -40 to 85°C (-40 to 185°F)
6. DIN-Rail, wall mounting or rack-mounting through bracket
7. IP30 protection class

Technical Specifications

Standard

IEEE802.3
IEEE802.3u
IEEE802.3x
store and forward switching mode

Interface

100M Fiber Port: 1 x 100Base-FX port, FC/SC/ST
10/100M Copper Ports: 2 x 10/100Base-T(X) ports, RJ45
LED Indicators: RUN, LINK/ACT (1, 2)

Cable

Twisted Pair: 0-100m (Standard CAT5, CAT5e network cable)
Multi Mode Fiber: 1310nm, 0-5km
Single Mode Fiber: 1310nm, 0-40km; 1550nm, 0-80km

Power Requirements

Power input: 24VDC (9-36VDC), 48VDC (36-72VDC), 110VDC (70-140VDC), 110VAC/220VAC/220VDC (85-265VAC/120-370VDC), single power input
Power terminal: 3-Pin 3.81mm-spacing plug-in terminal block
Power consumption: <3W

Physical Characteristics

Casing: Ribbed aluminum case (fanless)
Protection class: IP30
Installation: DIN-Rail, wall mounting or rack mounting through bracket
Dimensions (WxHxD): 36x100x75 mm (1.42x3.94x2.95 in.)
Weight: 0.3kg (0.661pound)

Environmental Limits

Operating Temperature: -40 to 85°C (-40 to 185°F)
Storage Temperature: -40 to 85°C (-40 to 185°F)
Ambient Relative Humidity: 0 to 95% (non-condensing)

Approvals

IEC61000-4-2 (ESD): ±8KV contact discharge, ±15KV air discharge
IEC61000-4-3 (RS): 10V/M (80-1000MHz)
IEC61000-4-4 (EFT): power line ±4KV, data line ±2KV
IEC61000-4-5 (Surge): power line ±4KV CM/±2KV DM, data line ±2KV
IEC61000-4-6 (CS): 3V (10KHZ-150KHZ), 10V (150KHZ-80MHz)
IEC61000-4-8 (Power frequency magnetic field): 100A/m cont. 1000A/m, 1s to 3s
IEC61000-4-12/18 (Damped oscillatory wave): 2.5KV CM, 1KV DM
IEC61000-4-10 (Damped oscillatory): 30A/m
IEC61000-4-16 (Common mode conduct): 30V cont. 300V, 1s
FCC CFR47 Part 15/EN55022: Class A&B
IEC61000-6-2 (Industrial Standards), IEC61850-3(Substations), IEEE1613 (Electric Power Substations), EN50121-4 (Railway Applications)

CE, FCC, ROHS, Chinese State Grid Certification

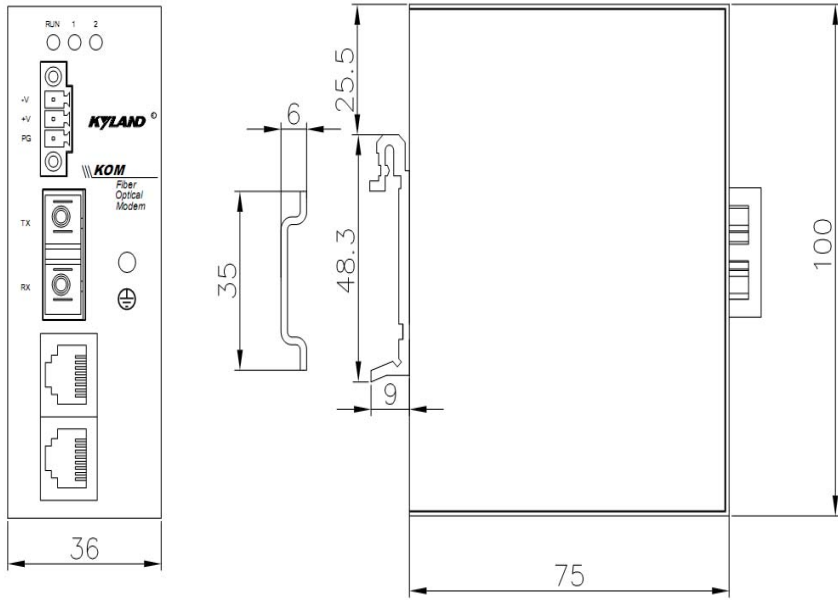
MTBF

35 years

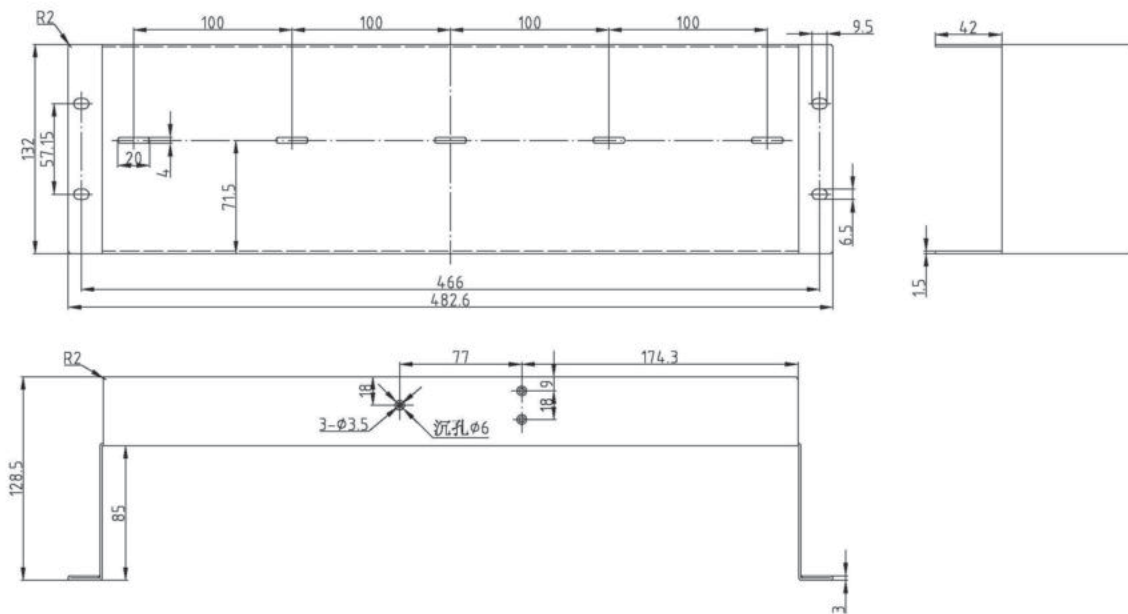
Warranty

5 years

Mechanical Drawing



KOM300F



KOMFrm: 19 inch rack bracket

Ordering Information

| Model | Description |
|--------------------|--|
| KOM300F-S | Industrial Ethernet to fiber media converter with 1 100Base-FX port, single mode, full duplex, FC/SC/ST connector, 2 10/100Base-T(X) ports, RJ45 connector, DIN-Rail, wall mounting or rack mounting through bracket, 24VDC (9-36VDC), 48VDC (36-72VDC), 110VDC (72-144VDC), 110VAC/220VAC/220VDC(85-265VAC/120-370VDC), single power input, -40 to 85°C operating temperature |
| KOM300F-M | Industrial Ethernet to fiber media converter with 1 100Base-FX port, multi mode, full duplex, FC/SC/ST connector, 2 10/100Base-T(X) ports, RJ45 connector, DIN-Rail, wall mounting or rack mounting through bracket, 24VDC (9-36VDC), 48VDC (36-72VDC), 110VDC (72-144VDC), 110VAC/220VAC/220VDC(85-265VAC/120-370VDC), single power input, -40 to 85°C operating temperature |
| KOM300BA-S | Industrial Ethernet to fiber media converter with 1 100Base-FX port, single mode, full duplex, FC/SC/ST connector, 2 10/100Base-T(X) ports, RJ45 connector, DIN-Rail, wall mounting or rack mounting through bracket, 24VDC (9-36VDC), 48VDC (36-72VDC), 110VDC (72-144VDC), 110VAC/220VAC/220VDC(85-265VAC/120-370VDC), single power input, -40 to 85°C operating temperature, intrinsically safe |
| KOM300BA-M | Industrial Ethernet to fiber media converter with 1 100Base-FX port, multi mode, full duplex, FC/SC/ST connector, 2 10/100Base-T(X) ports, RJ45 connector, DIN-Rail, wall mounting or rack mounting through bracket, 24VDC (9-36VDC), 48VDC (36-72VDC), 110VDC (72-144VDC), 110VAC/220VAC/220VDC(85-265VAC/120-370VDC), single power input, -40 to 85°C operating temperature, intrinsically safe |
| Accessories | |
| KOMFrm | Bracket for rack mounting: 482.6x132x128.5mm |

Power supply: 24VDC, 48VDC, 110VDC, 110VAC/220VAC/220VDC, single power input

Please visit our website: www.kyland.cn for the latest updates.