

**SICOM3008J-M12**

8 Port Robust Managed Industrial Ethernet Switch



CE, FCC, RoHS

Chinese Military Certification

**Overview**

The SICOM3008J-M12 robust managed industrial Ethernet switch which is specially designed for military usage has 8 10/100Base-T(X) ports with M12 connectors. It meets Chinese military standards GJB150 and GJB151A-97 and Kyvision management software. Its protection class is IP43 and operating temperature is -40 to 85°C.

**Features**

1. Supports 8 10/100Base-T(X) ports with M12 connectors
2. Supports DT-Ring protocols (recovery time<50ms) and RSTP/STP (IEEE802.1w/d)
3. Flexible network topologies: ring, chain, star and tangent ring topologies
4. Advanced ring topology protocol avoiding broadcast storm
5. Supports IGMP Snooping, port trunking, port mirroring, QoS, VLAN, ACL and link aggregation
6. Supports port speed limitation and special broadcast storm control
7. Safe MAC and port binding function, static FDB supported
8. Bandwidth configuration controls port bandwidth properly
9. Improves network monitoring ability through RMON (group 1, 2, 3 and 9)
10. Supports multiple management functions including CLI, TELNET, WEB, SNMP V1/V2/V3 and OPC
11. Conforms with Chinese national military standard GJB150 and GJB151A-97
12. Operating temperature: -40 to 85°C (-40 to 185°F)
13. Ribbed aluminum case for heat dissipation (patent), fanless design
14. Rack mounting (19 Inch 1U)
15. IP43 protection class
16. Unified management software for SICOM series: Kyvision3.0

**Technical Specifications****Standard**

IEEE 802.3u  
IEEE 802.3  
IEEE 802.3x  
IEEE 802.3z  
IEEE 802.3ab  
IEEE 802.1d  
IEEE 802.1w  
IEEE 802.1p  
IEEE 802.1q  
Store and forward switching mode

**Network**

Ring, chain, star and tangent ring network topology

**Performance**

Backplane switching capacity: 8.8G  
MAC Address Table Size: 8K

**Interface**

10/100M Copper Ports: 8 x 10/100Base-T(X) ports with M12 connectors  
Debug Port: 2 x 10/100Base-T(X) ports, RJ45  
CONSOLE Interface: RS232, RJ45  
LED Indicators: RUN, LINK/ACT, 10M/100M

**Cable**

Twisted Pair: 0-100m (Standard CAT5 and CAT5e network cable)

**Power Requirements**

Power input: 28VDC (9-36VDC)  
Input terminals: M12  
Power consumption: <15W

**Physical Characteristics**

Casing: Ribbed aluminum case (fanless)  
Protection class: IP43  
Installation: Rack mounting (19 inch 1U)  
Dimensions (WxHxD): 276x44x160mm (10.87x1.73x6.30 in.)  
Installation panel: 305x48x3mm (12.01x1.89x0.12 in.)  
Weight: 1.4kg (3.086 pound)

**Environmental Limits**

Operating Temperature: -40 to 85°C (-40 to 185°F)  
Storage Temperature: -40 to 85°C (-40 to 185°F)  
Ambient Relative Humidity: 0 to 95% (non-condensing)

**Approvals**

IEC61000-4-2 (ESD): ±8KV contact discharge, ±15KV air discharge  
IEC61000-4-3 (RS): 10V/M (80-1000MHz)  
IEC61000-4-4 (EFT): ±4KV power lead, ±2KV data lead  
IEC61000-4-5 (Surge): power lead ±4KV CM/ ±2KV DM, data lead ±2KV  
IEC61000-4-6 (CS): 3V (10KHZ-150KHZ), 10V (150KHZ-80MHZ)  
IEC61000-4-8 (Power frequency magnetic field): 100A/m cont. 1000A/m, 1s to 3s  
IEC61000-4-12/18 (Damped oscillatory wave): 2.5KV CM, 1KV DM  
IEC61000-4-10 (Damped oscillatory): 30A/m  
IEC61000-4-16 (Common mode conduct): 30V cont. 300V, 1s  
FCC CFR47 Part 15/EN55022: Class A&B  
Chinese Military Standard GJB151A-97, GJB150 parameters  
CE101: 25Hz-10KHz power lead conducted emission  
CE102: 10KHz-10MHz power lead conducted emission  
CS101: 25Hz-50KHz power lead conducted susceptibility  
CS114: 10KHz-400MHz bulk cable injection conducted susceptibility  
CS116: 10KHz-100MHz cable and power cable damped sine transient conduction susceptibility  
RE101: 25Hz-100kHz magnetic field radiation emission  
RE102: 10kHz-18GHz electric field radiation emission  
RS101: 25Hz-100kHz magnetic field radiation susceptibility  
RS103: 10kHz-40GHz electric field radiation susceptibility  
GJB150-11-86: Anti salt fog  
GJB150-6-86: Temperature  
GJB150-16-86: Vibration

CE, FCC, RoHS, Chinese Military Certification

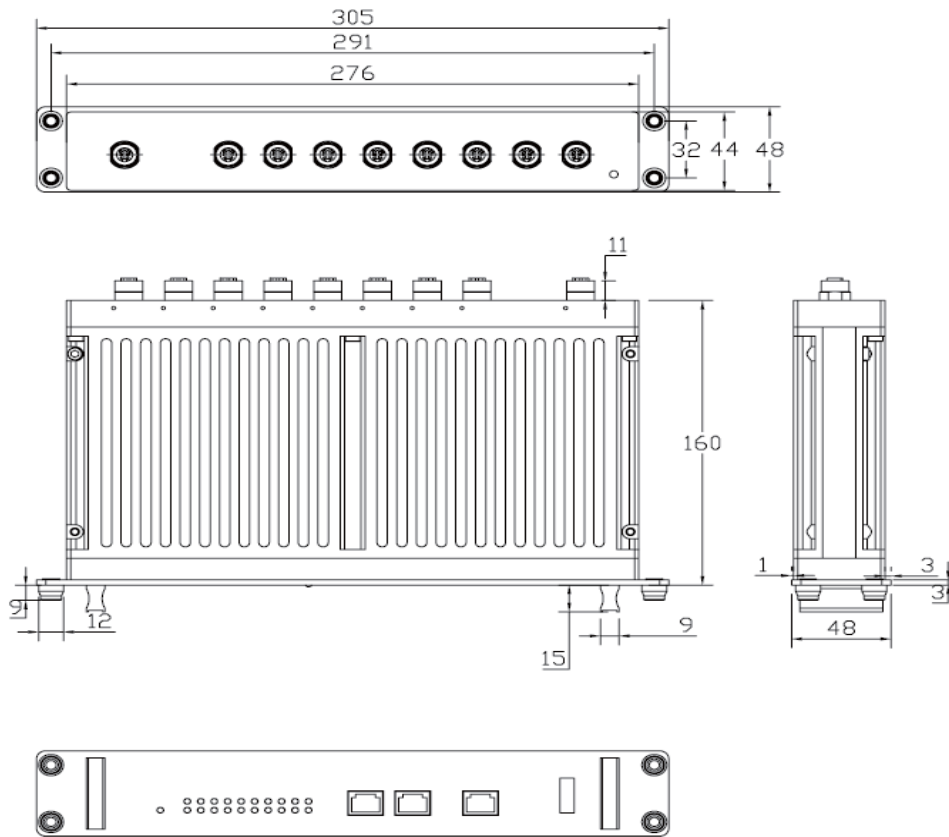
**MTBF**

35 years

**Warranty**

5 years

### Mechanical Drawing



### Ordering Information

Model	Description
SICOM3008J-8T-M12	IP43 managed Ethernet switch with 8 10/100Base-T(X) ports, M12 connector, 28VDC (9-36VDC), -40 to 85°C operating temperature

Power supply: 28VDC

### Accessories

Connector	Port
M12-4 Pin-99-3729-810-04 M12-4 Pin-right angle-99-3729-820-04	10/100Base-T(X) ports,
M12-4 Pin-99-1430-812-04 M12-4 Pin-right angle-99-1430-822-04	Power Port

Please visit our website: [www.kyland.cn](http://www.kyland.cn) for the latest updates.